

# INSTALLATION GUIDE

## BNC-2120

### Connector Accessory for E/M/S Series Devices

This installation guide describes how to install, configure, and use your BNC-2120 accessory with 68-pin or 100-pin E/M/S Series multifunction data acquisition (DAQ) devices. This document also contains accessory specifications.

The BNC-2120 has the following features:

- Eight BNC connectors for analog input (AI) connection
- Onboard temperature reference
- Thermocouple connector
- Resistor measurement screw terminals
- Two BNC connectors for analog output (AO) connection
- Screw terminals for digital I/O (DIO) connection with state indicators
- Screw terminals for timing I/O (TIO) connection
- Two user-defined BNC connectors
- A function generator with the following outputs:
  - Frequency-adjustable, TTL-compatible square wave
  - Frequency- and amplitude-adjustable sine wave or triangle wave
- Quadrature encoder
- A 68-pin I/O connector that connects to multifunction DAQ devices
- Can be used on a desktop or mounted on a DIN rail

## Contents



---

Conventions .....	2
What You Need to Get Started .....	2
Installing the BNC-2120 .....	2
Connecting Analog Input Signals .....	5
Connecting Differential Analog Input Signals .....	5
Measuring Floating Signals .....	5
Measuring Ground-Referenced Signals .....	6
Measuring Temperature .....	6
Measuring Resistance .....	7
Connecting Analog Output Signals .....	7
Using the Function Generator .....	8
Connecting Timing I/O Signals .....	8
Using the Quadrature Encoder .....	10
Connecting User-Defined Signals .....	10
Connecting Digital I/O Signals .....	11
Specifications .....	11

## Conventions

---

The following conventions are used in this document:

- <> Angle brackets that contain numbers separated by an ellipsis represent a range of values associated with a bit or signal name—for example, AO <3..0>.
- » The » symbol leads you through nested menu items and dialog box options to a final action. The sequence **File»Page Setup»Options** directs you to pull down the **File** menu, select the **Page Setup** item, and select **Options** from the last dialog box.
-  This icon denotes a note, which alerts you to important information.
-  This icon denotes a caution, which advises you of precautions to take to avoid injury, data loss, or a system crash. When this symbol is marked on a product, refer to the *Read Me First: Safety and Radio-Frequency Interference* document for information about precautions to take.
- bold** Bold text denotes items that you must select or click in the software, such as menu items and dialog box options. Bold text also denotes parameter names.
- italic* Italic text denotes variables, emphasis, a cross-reference, or an introduction to a key concept. Italic text also denotes text that is a placeholder for a word or value that you must supply.
- monospace Text in this font denotes text or characters that you should enter from the keyboard, sections of code, programming examples, and syntax examples. This font is also used for the proper names of disk drives, paths, directories, programs, subprograms, subroutines, device names, functions, operations, variables, filenames, and extensions.

## What You Need to Get Started

---

To set up and use your BNC-2120 accessory, you need the following:

- BNC-2120 accessory/accessories<sup>1</sup>
- BNC-2120 Installation Guide*
- One of the following DAQ devices:
  - 68-pin E/M/S Series device (with one or two I/O connectors)<sup>2</sup>
  - 100-pin E Series device
- Cable(s) for DAQ device(s), as listed in Table 1
- The *E Series User Manual*, the *M Series User Manual*, or the *S Series User Manual*
- BNC cables
- 28–16 AWG wire
- Wire strippers
- Flathead screwdriver

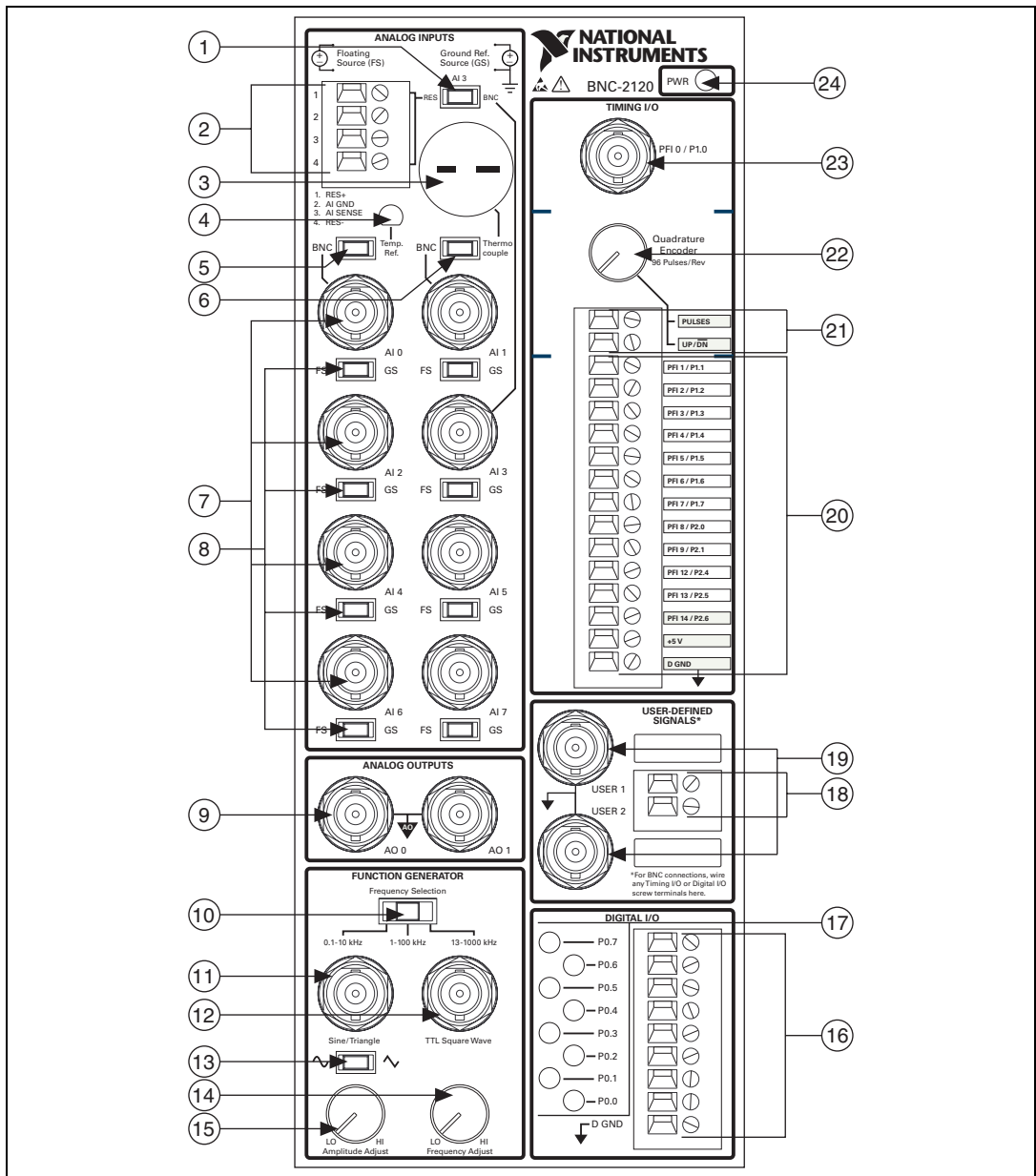
## Installing the BNC-2120

---

Figure 1 shows the front panel of the BNC-2120.

<sup>1</sup> You can use two BNC-2120 accessories with both connectors of NI 6224/6229/6254/6259/6284/6289 M Series devices.

<sup>2</sup> You cannot use the BNC-2120 with Connector 1 of NI 6225/6255 devices.



- |  |                                     |                                       |
|--|-------------------------------------|---------------------------------------|
| 1 RES/BNC Switch (AI 3)                | 9 Analog Output BNC Connector       | 18 User-Defined Screw Terminals       |
| 2 Resistor Measurement Screw Terminals | 10 Frequency Range Selection Switch | 19 User-Defined BNC Connectors        |
| 3 Thermocouple Input Connector         | 11 Sine/Triangle BNC Connector      | 20 Timing I/O Screw Terminals         |
| 4 Temperature Reference                | 12 TTL Square Wave BNC Connector    | 21 Quadrature Encoder Screw Terminals |
| 5 BNC/Temp. Ref. Switch (AI 0)         | 13 Sine/Triangle Waveform Switch    | 22 Quadrature Encoder Knob            |
| 6 BNC/Thermocouple Switch (AI 1)       | 14 Frequency Adjust Knob            | 23 Timing I/O BNC Connector           |
| 7 Analog Input BNC Connectors          | 15 Amplitude Adjust Knob            | 24 Power Indicator LED                |
| 8 FS/GS Switches                       | 16 Digital I/O Screw Terminals      |                                       |
|  | 17 Digital I/O LEDs                 |                                       |

Figure 1. BNC-2120 Front Panel

To connect the BNC-2120 to your DAQ device, complete the following steps. Consult your computer or PXI/PXI Express chassis user manual for specific instructions and warnings.



**Note** If you have not already installed your DAQ device, refer to the *DAQ Getting Started Guide* for instructions.



**Caution** Do *not* connect the BNC-2120 to any device other than National Instruments E/M/S Series multifunction DAQ devices. Doing so can damage the BNC-2120, the DAQ device, or the host computer. National Instruments is *not* liable for damage resulting from these connections.

1. Place the BNC-2120 near the host computer or PXI/PXI Express chassis or use the optional DIN Rail Mounting kit for UMI-FLEX-6 and BNC boxes (part number 777972-01), which you can order from National Instruments at [ni.com](http://ni.com).



**Caution** Do *not* connect input voltages greater than  $42.4 V_{pk}/60 \text{ VDC}$  to the BNC-2120. The BNC-2120 is not designed for any input voltages greater than  $42.4 V_{pk}/60 \text{ VDC}$ , even if a user-installed voltage divider reduces the voltage to within the input range of the DAQ device. Input voltages greater than  $42.4 V_{pk}/60 \text{ VDC}$  can damage the BNC-2120, all devices connected to it, and the host computer. Overvoltage can also cause an electric shock hazard for the operator. National Instruments is *not* liable for damage or injury resulting from such misuse.

2. Connect the BNC-2120 to the DAQ device using the appropriate cable for your DAQ device, as listed in Table 1.

**Table 1.** BNC-2120 Cabling Options

Number of Pins	DAQ Device	Recommended Cable(s)
68-pin	DAQCard E Series, NI PCI/PCIe/PXI/PXIe M Series* NI 6143 S Series	SHC68-68-EPM or RC68-68
	PCI/PXI E Series, USB Mass Termination M Series*, NI 611x/612x/613x S Series†	SH68-68-EPM or R6868†
100-pin	PCI/PXI E Series	SH1006868
<p>* You cannot connect the BNC-2120 to Connector 1 of NI 6225/6255 devices.            † Do <i>not</i> use the R6868 cable with NI 6115/6120 S Series devices; use <i>only</i> the SH68-68-EPM cable.</p>		

The power indicator LED, shown in Figure 1, lights. If it does not light, check the cable connections.

3. Launch Measurement & Automation Explorer (MAX), confirm that your DAQ device is recognized, and configure your device settings. Refer to the *DAQ Getting Started Guide* for more information.
4. Connect signals to the BNC connectors and screw terminal block as described in the following sections.



**Note** With NI-DAQmx, National Instruments has revised its terminal names so they are easier to understand and more consistent among NI hardware and software products. The revised terminal names used in this document are usually similar to the names they replace. For a complete list of Traditional NI-DAQ (Legacy) terminal names and their NI-DAQmx equivalents, refer to the *Terminal Name Equivalents* table in the *NI-DAQmx Help*.

5. Test specific device functionality, such as the ability to send and receive data with MAX test panels. Refer to the *DAQ Getting Started Guide* for detailed information about running test panels in MAX.

When you have finished using the BNC-2120, power off any external signals connected to the BNC-2120 before you power off your computer.

## Connecting Analog Input Signals

---

You can use the analog input BNCs on the BNC-2120 in the following ways:

- Measure differential AI signals, as described in the *Connecting Differential Analog Input Signals* section
- Measure temperature, as described in the *Measuring Temperature* section
- Measure resistance, as described in the *Measuring Resistance* section

## Connecting Differential Analog Input Signals

Use the BNC-2120 BNC connectors on the front panel to connect AI <0..7> signals to your DAQ device. The BNC-2120 is *only* intended for differential analog input signals. The number of connectors you use depends on your DAQ device and application. Complete the following steps to measure a differential (DIFF) analog input signal.

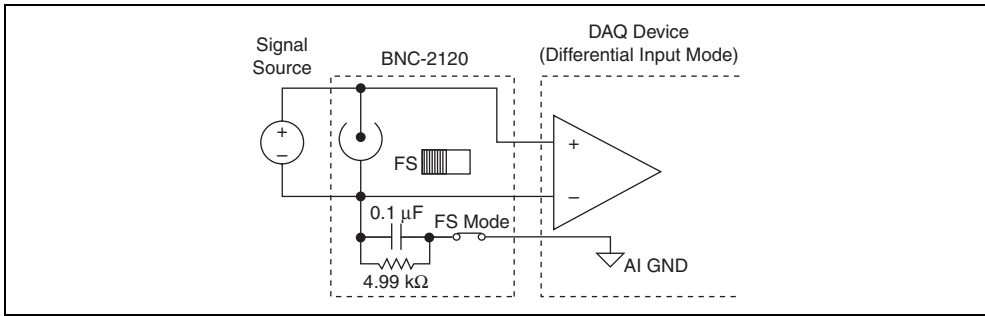
1. Connect the BNC cable to one of the AI <0..7> BNC connectors on the front panel.<sup>1</sup>
2. If you are using AI 0, move the BNC/Temp. Ref. switch to the BNC position.  
If you are using AI 1, move the BNC/Thermocouple switch to the BNC position.  
If you are using AI 3, move the RES/BNC switch to the BNC position.
3. Configure your software to measure the channel differentially.
4. Move the FS/GS switch to the applicable position, depending on whether you are measuring a floating source (FS) or ground-referenced source (GS) analog input signal. Refer to the *Measuring Floating Signals* and *Measuring Ground-Referenced Signals* sections for more information about these signal sources.

## Measuring Floating Signals

To measure floating signal sources, move the corresponding switch below the BNC connector to the FS position. In the floating source switch position, the DAQ device's amplifier negative terminal connects to ground through a 4.99 k $\Omega$  resistor, as shown in Figure 2. Refer to your DAQ device documentation for more information about measuring floating signals.

---

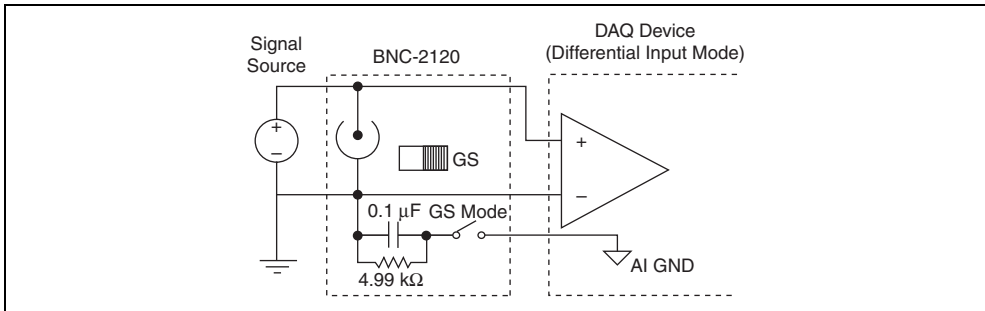
<sup>1</sup> When using the BNC-2120 with Connector 1 of NI 6224/6229/6254/6259/6284/6289 devices, the AI <0..7> BNCs on the BNC-2120 map to the AI <16..23> channels on the M Series device.



**Figure 2.** Measuring a Floating Signal Source

## Measuring Ground-Referenced Signals

To measure ground-referenced signals, move the switch below the BNC connector for the AI channel you are using to the GS position. Using the ground-referenced source switch position avoids ground loops, as shown in Figure 3. Refer to your DAQ device documentation for more information about measuring ground-referenced signals.



**Figure 3.** Measuring a Ground-Referenced Signal Source

AI GND and AI SENSE signals are located at the analog input screw terminals of the BNC-2120. When connecting signals to the screw terminals, use 28–16 AWG wire with the insulation stripped to 0.28 in.

## Measuring Temperature

You can measure temperature on the BNC-2120 with the temperature reference and thermocouple connector.

To use the integrated circuit (IC) temperature reference on the BNC-2120, move the BNC/Temp. Ref. switch above the AI 0 BNC to Temp. Ref. The integrated circuit (IC) temperature reference provides built-in cold-junction compensation (CJC) through software. The IC sensor voltage is linearly proportional to the sensor temperature where:

$$^{\circ}\text{C} = \text{Volts} \times 100$$

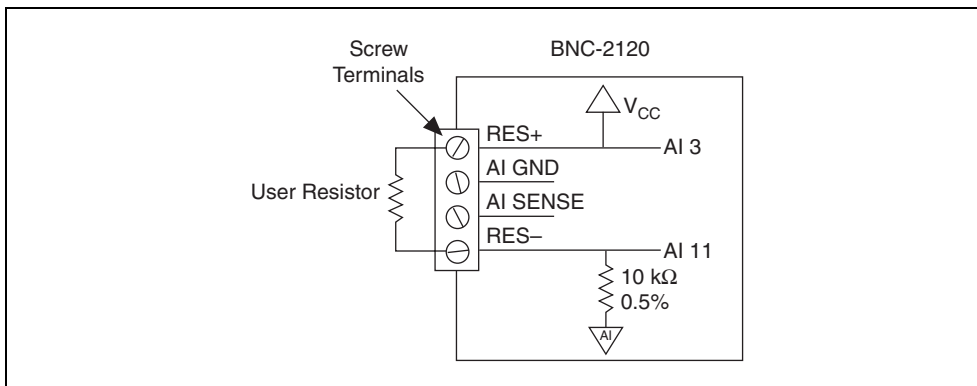
The sensor is accurate to  $\pm 1.5$   $^{\circ}\text{C}$ .

To use the thermocouple on the BNC-2120, move the BNC/Thermocouple switch above the AI 1 BNC to Thermocouple. You can connect any type of thermocouple with a two-prong miniature or subminiature male connector to the thermocouple connector.

For more information on thermocouples and CJC, refer to the Developer Zone document, *Taking Thermocouple Temperature Measurements*, by going to [ni.com/info](http://ni.com/info) and entering the info code `rdtttm`.

## Measuring Resistance

You can measure resistance with the analog input screw terminals on the BNC-2120. Figure 4 is a schematic representation of how the BNC-2120 measures resistance.



**Figure 4.** Measuring Resistance on the BNC-2120

RES+ is internally connected to AI 3 and  $V_{CC}$ . RES- is internally connected to AI 11. There is also a  $10\text{ k}\Omega$  resistor between AI 11 and AI GND.

When connecting signals to the screw terminals, use 28–16 AWG wire with the insulation stripped to 0.28 in.

Complete the following steps to measure resistance.

1. Move the RES/BNC switch above the AI 3 BNC to the RES position.
2. Configure your software to measure AI 3 and AI 11 in referenced single-ended (RSE) mode.
3. Connect the resistor to the RES+ and RES- screw terminals.  
You can measure resistors with values ranging from  $100\ \Omega$  to  $1\ \text{M}\Omega$ .
4. Measure  $V_{CC}$  on AI 3 and the voltage drop across the internal  $10\text{ k}\Omega$  resistor on AI 11.
5. With these measurements, calculate the resistor value using the following formula:

$$\text{Resistor Value} = \frac{V_{AI\ 3} - V_{AI\ 11}}{V_{AI\ 11} / (10\text{ k}\Omega)}$$

## Connecting Analog Output Signals

Use the AO <0..1> BNC connectors on the BNC-2120 front panel to connect analog output signals to your DAQ device.<sup>1</sup> The number of connectors you use depends on your DAQ device and application. Refer to your DAQ device documentation for information about the use of these signals.

<sup>1</sup> When using the BNC-2120 with Connector 1 of NI 6229/6259/6289 devices, the AO <0..1> BNCs on the BNC-2120 map to the AO <2..3> channels on the M Series device.

## Using the Function Generator

The BNC-2120 has a function generator that produces sine or triangle waveforms and TTL-compatible square waveforms. Use the switch below the Sine/Triangle BNC to select a sine wave or triangle wave output for the connector. A TTL-compatible square wave is always present at the TTL Square Wave BNC.

To adjust the frequency of the function generator, select your frequency range using the Frequency Selection switch. You can select 0.1–10 kHz, 1–100 kHz, or 13–1000 kHz. The Frequency Adjust knob adjusts the frequency within the preselected range for the sine or triangle wave and the TTL square wave outputs.

The Amplitude Adjust knob adjusts the amplitude of the sine or triangle wave output up to 4.4 V<sub>p-p</sub>.

## Connecting Timing I/O Signals

Connect the timing I/O signals of your DAQ device to the PFI 0/P1.0 (AI START TRIG) BNC or the timing I/O screw terminals on the BNC-2120. When connecting signals to the screw terminals, use 28–16 AWG wire with the insulation stripped to 0.28 in.

Table 2 describes the timing I/O BNC and terminal signals on the BNC-2120.

**Table 2.** BNC-2120 Timing I/O BNC/Terminal Descriptions

BNC/Terminal	Description
PFI 0/P1.0	Programmable Function Input channel 0 or Port 1 Digital Input/Output channel 0
	AI START TRIG (AI Start Trigger Signal)—As an output, this pin is the ai/StartTrigger signal. In post-trigger DAQ sequences, a low-to-high transition indicates the initiation of the acquisition sequence. In applications with pre-trigger samples, a low-to-high transition indicates the initiation of the pre-trigger samples.
PULSES	Refer to the <a href="#">Using the Quadrature Encoder</a> section for information about using these terminals.
UP/ $\overline{\text{DN}}$	
PFI 1/P1.1	Programmable Function Input channel 1 or Port 1 Digital Input/Output channel 1
	AI REF TRIG (AI Reference Trigger Signal)—As an output, this pin is the ai/ReferenceTrigger signal. In applications with pretrigger samples, a low-to-high transition indicates the initiation of the post-trigger samples. AI Reference Trigger is not used in applications with posttrigger samples.
PFI 2/P1.2	Programmable Function Input channel 2 or Port 1 Digital Input/Output channel 2
	AI CONV CLK (AI Convert Clock Signal)—As an output, this pin is the ai/ConvertClock signal. A high-to-low edge on AI CONV indicates that an A/D conversion is occurring.
PFI 3/P1.3	Programmable Function Input channel 3 or Port 1 Digital Input/Output channel 3
	CTR 1 SOURCE (Counter 1 Source Signal)—As an output, this pin is the Ctr1Source signal. This signal reflects the actual source connected to the general-purpose counter 1.



**Table 2.** BNC-2120 Timing I/O BNC/Terminal Descriptions (Continued)

BNC/Terminal	Description
PFI 4/P1.4	Programmable Function Input channel 4 or Port 1 Digital Input/Output channel 4
	CTR 1 GATE (Counter 1 Gate Signal)—As an output, this pin is the Ctr1Gate signal. This signal reflects the actual gate signal connected to the general-purpose counter 1.
PFI 5/P1.5	Programmable Function Input channel 5 or Port 1 Digital Input/Output channel 5
	AO SAMP CLK (AO Sample Clock Signal)—As an output, this pin is the ao/SampleClock signal. A high-to-low edge on AO SAMP indicates that the AO primary group is being updated.
PFI 6/P1.6	Programmable Function Input channel 6 or Port 1 Digital Input/Output channel 6
	AO START TRIG (AO Start Trigger Signal)—As an output, this pin is the ao/StartTrigger signal. In timed AO sequences, a low-to-high transition indicates the initiation of the waveform generation.
PFI 7/P1.7	Programmable Function Input channel 7 or Port 1 Digital Input/Output channel 7
	AI SAMP CLK (AI Sample Clock Signal)—As an output, this pin is the ai/SampleClock signal. This pin pulses once at the start of each AI sample in the interval sample. A low-to-high transition indicates the start of the sample.
PFI 8/P2.0	Programmable Function Input channel 8 or Port 2 Digital Input/Output channel 0
	CTR 0 SOURCE (Counter 0 Source Signal)—As an output, this pin is the Ctr0Source signal. This signal reflects the actual source connected to the general-purpose counter 0.
PFI 9/P2.1	Programmable Function Input channel 9 or Port 2 Digital Input/Output channel 1
	CTR 0 GATE (Counter 0 Gate Signal)—As an output, this pin is the Ctr0Gate signal. This signal reflects the actual gate signal connected to the general-purpose counter 0.
PFI 12/P2.4	Programmable Function Input channel 12 or Port 2 Digital Input/Output channel 4
	CTR 0 OUT (Counter 0 Output Signal)—As an input, this pin can be used to route signals directly to the RTSI bus. As an output, this pin emits the Ctr0InternalOutput signal.
PFI 13/P2.5	Programmable Function Input channel 13 or Port 2 Digital Input/Output channel 5
	CTR 1 OUT (Counter 1 Output Signal)—As an input, this pin can be used to route signals directly to the RTSI bus. As an output, this pin emits the Ctr1InternalOutput signal.
PFI 14/P2.6	Programmable Function Input channel 14 or Port 2 Digital Input/Output channel 6
	FREQ OUT (Frequency Output)—This output is from the frequency generator.
+5 V	+5 V Power—These terminals are fused on the DAQ device and are self-resetting. The current available depends on the product to which it is connected.
D GND	Digital Ground—This terminal supplies the reference for the digital signals at the I/O connector as well as the +5 VDC supply.

## Using the Quadrature Encoder

The BNC-2120 contains a mechanical quadrature encoder circuit that produces 96 pulses per encoder revolution. Two outputs, PULSES and  $UP/\overline{DN}$ , are at the screw terminals located below the quadrature encoder knob.

PULSES outputs a pulse train generated by rotating the encoder shaft. It provides four pulses per one mechanical click of the encoder.  $UP/\overline{DN}$  outputs a high or a low signal indicating rotation direction. When the direction is counterclockwise,  $UP/\overline{DN}$  is low. When the direction is clockwise,  $UP/\overline{DN}$  is high.

To use the quadrature encoder with counter 0 of the DAQ device, connect the PULSES terminal to PFI 8 and connect the  $UP/\overline{DN}$  terminal to the P0.6 digital I/O terminal, the up/down pin of counter 0. To use the quadrature encoder with counter 1, connect the PULSES terminal to PFI 3 and connect the  $UP/\overline{DN}$  terminal to the P0.7 digital I/O terminal, the up/down pin of counter 1. Refer to Table 2 for more information about PFI 3 and PFI 8. Refer to the [Connecting Digital I/O Signals](#) section for more information about the digital I/O terminals and LEDs.

You can use the Count Digital Events VI from the LabVIEW Example Finder (**Hardware Input and Output**»**DAQmx**»**Counter Measurements**»**Count Digital Events**) with the BNC-2120 quadrature encoder. After opening the VI, select **Externally Controlled** in the Count Direction control. The VI retrieves the count from the counter. You can convert the count into total degrees rotated using the following formula:

$$\text{Total Degrees Rotated} = \text{PULSES} \times 3.75^\circ/\text{pulse}$$

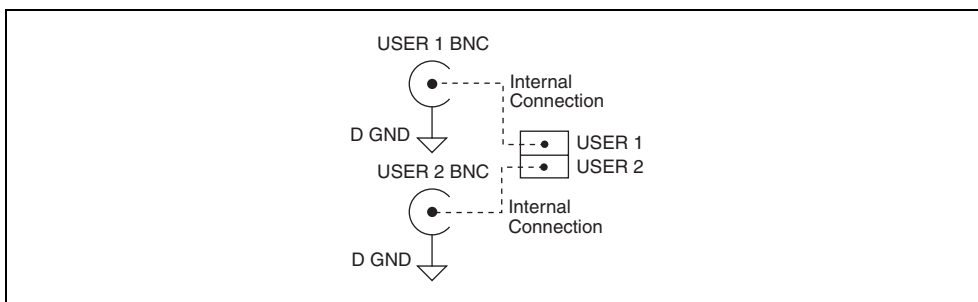
where

$$3.75^\circ/\text{pulse} = 360^\circ/96 \text{ pulses}$$

Calculate the number of revolutions and remaining degrees by dividing the total degrees rotated by  $360^\circ$ . The calculated quotient is equal to the number of revolutions and the remainder is equal to the remaining degrees.

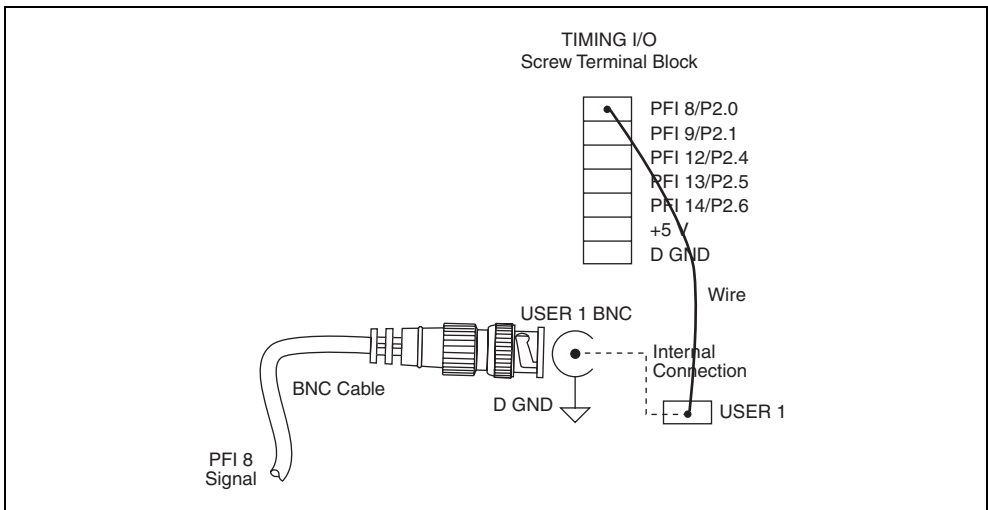
## Connecting User-Defined Signals

The USER 1 and USER 2 BNC connectors allow you to use a BNC connector for a digital I/O or timing I/O signal of your choice. The USER 1 and USER 2 BNC connectors are routed (internal to the BNC-2120) to the USER 1 and USER 2 screw terminals, as shown in Figure 5.



**Figure 5.** USER <1..2> BNC Connections

Figure 5 shows an example of how to use the USER 1 and USER 2 BNCs. To access the PFI 8/P2.0 (CTR 0 SOURCE) signal from a BNC, connect USER 1 on the screw terminal block to PFI 8/P2.0 with a 28–16 AWG wire.



**Figure 6.** Connecting PFI 8 to USER 1 BNC

The designated space next to each USER <1..2> BNC is for marking or labeling signal names.

## Connecting Digital I/O Signals

Connect to the digital I/O signals of your DAQ device to the digital I/O screw terminals, P0.<0..7>, on the BNC-2120. You can individually configure each signal as an input or output. D GND is available at the screw terminals to supply the reference for the DIO signals. When connecting signals to the screw terminals, use 28–16 AWG wire with the insulation stripped to 0.28 in.



**Note** P0.6 and P0.7 can control the up/down signal of general-purpose counters 0 and 1, respectively. Refer to the [Using the Quadrature Encoder](#) section for more information about using the P0.6 and P0.7 terminals with the quadrature encoder.

The LEDs next to each screw terminal indicate the state of each digital line, as listed in Table 3.

**Table 3.** Digital I/O LEDs

Digital I/O LED	Digital Port State
Lit	The port is either pulled high or driven high
Not lit	The port is either pulled low or driven low

## Specifications

This section lists the specifications of the BNC-2120. These specifications are typical at 25 °C unless otherwise specified.



**Note** Refer to your DAQ device documentation for specifications about analog input, analog output, trigger/counter, and digital and timing I/O signals.

## Analog Input

Number of channels (default) .....	8 differential
Field connections (default) .....	8 BNC connectors
Protection .....	No additional protection provided. Consult your DAQ device specifications.
Optional inputs	
AI 0 .....	Temperature sensor
AI 1 .....	Thermocouple
AI 3, AI 11 .....	Resistor measurement (requires RSE configuration)
Optional connections	
Thermocouple .....	Uncompensated miniature connector, mates with 2-prong miniature or subminiature connector
Resistor .....	2 screw terminals
Resistor measurement range .....	100 $\Omega$ to 1 M $\Omega$
Resistor measurement error .....	$\leq 5\%$
Screw terminals .....	4 positions, 28–16 AWG wire
Switches	
Floating source/grounded source .....	8
BNC/temperature reference IC .....	1
BNC/thermocouple connector .....	1
BNC/resistor screw terminals .....	1

## Analog Output

Field connection .....	2 BNC connectors
------------------------	------------------

## Digital Input/Output

Screw terminals .....	9 positions, 28–16 AWG wire
LED state indicators .....	8, 1 each for lines P0.<0..7>
Protection (DC max V)	
Powered off .....	$\pm 5.5$ V
Powered on .....	+10/-5 V
Drive	
V <sub>ol</sub> .....	0.6 V, 8 mA 1.6 V, 24 mA
V <sub>oh</sub> .....	4.4 V, 8 mA 4 V, 13 mA

## Function Generator

Square wave .....	TTL-compatible
Frequency range .....	100 Hz to 1 MHz
Frequency adjust .....	Through the Frequency Adjust knob



## Power Requirement

+5 VDC ( $\pm 5\%$ ) .....	200 mA, sourced from the multifunction DAQ device
Power available at +5 V screw terminal .....	Multifunction DAQ device power, less power consumed at +5 VDC ( $\pm 5\%$ )

## Physical

Dimensions .....	26.7 cm $\times$ 11.2 cm $\times$ 5.97 cm (10.5 in. $\times$ 4.41 in. $\times$ 2.35 in.)
Weight .....	1,040 g (2 lb 4.7 oz)
I/O connector .....	68-pin male SCSI-II type
BNC connectors .....	15
Screw terminal plugs .....	31

## Environment

Operating temperature .....	0 to 50 °C
Storage temperature .....	-55 to 125 °C
Relative humidity .....	5 to 90%, noncondensing
Pollution Degree (indoor use only) .....	2
Maximum altitude .....	2,000 m

## Safety

This product is designed to meet the requirements of the following standards of safety for electrical equipment for measurement, control, and laboratory use:

- IEC 61010-1, EN 61010-1
- UL 61010-1, CSA 61010-1



**Note** For UL and other safety certifications, refer to the product label or visit [ni.com/certification](http://ni.com/certification), search by model number or product line, and click the appropriate link in the Certification column.

## Electromagnetic Compatibility

This product is designed to meet the requirements of the following standards of EMC for electrical equipment for measurement, control, and laboratory use:

- EN 61326 EMC requirements; Minimum Immunity
- EN 55011 Emissions; Group 1, Class A
- CE, C-Tick, ICES, and FCC Part 15 Emissions; Class A



**Note** For EMC compliance, operate this device with shielded cables.

## CE Compliance

This product meets the essential requirements of applicable European Directives, as amended for CE marking, as follows:

- 2006/95/EC; Low-Voltage Directive (safety)
- 89/336/EEC; Electromagnetic Compatibility Directive (EMC)



**Note** Refer to the Declaration of Conformity (DoC) for this product for any additional regulatory compliance information. To obtain the DoC for this product, visit [ni.com/certification](http://ni.com/certification), search by model number or product line, and click the appropriate link in the Certification column.

## Environmental Management

National Instruments is committed to designing and manufacturing products in an environmentally responsible manner. NI recognizes that eliminating certain hazardous substances from our products is beneficial not only to the environment but also to NI customers.

For additional environmental information, refer to the *NI and the Environment* Web page at [ni.com/environment](http://ni.com/environment). This page contains the environmental regulations and directives with which NI complies, as well as other environmental information not included in this document.

### Waste Electrical and Electronic Equipment (WEEE)



**EU Customers** At the end of their life cycle, all products *must* be sent to a WEEE recycling center. For more information about WEEE recycling centers and National Instruments WEEE initiatives, visit [ni.com/environment/weee.htm](http://ni.com/environment/weee.htm).

### 电子信息产品污染控制管理办法（中国 RoHS）



**中国客户** National Instruments 符合中国电子信息产品中限制使用某些有害物质指令 (RoHS)。关于 National Instruments 中国 RoHS 合规性信息, 请登录 [ni.com/environment/rohs\\_china](http://ni.com/environment/rohs_china)。(For information about China RoHS compliance, go to [ni.com/environment/rohs\\_china](http://ni.com/environment/rohs_china).)

National Instruments, NI, ni.com, and LabVIEW are trademarks of National Instruments Corporation. Refer to the *Terms of Use* section on [ni.com/legal](http://ni.com/legal) for more information about National Instruments trademarks. Other product and company names mentioned herein are trademarks or trade names of their respective companies. For patents covering National Instruments products, refer to the appropriate location: **Help»Patents** in your software, the `patents.txt` file on your CD, or [ni.com/patents](http://ni.com/patents).